

TH412

Telehandler



**WACKER
NEUSON**
all it takes!



Tough challenges are its specialty.

It's impressive how much power there is packed in the TH412 compact telehandler. The TH412 Wacker Neuson telehandler is unique in its combination of high lifting height, lean width and strong machine performance. A true multi-talent for works in municipalities, factories, building yards and at construction sites.

- Equipped with the innovative VLS driver assist system (Vertical Lift System).
- Extremely small inside radius of 821 mm.
- Enormous lifting height of 4.5 m in combination with a payload of 1.2 t.
- Efficient 31 PS Yanmar engine—optional 40 PS available.
- Hydraulic quick change system for a great assortment of attachments.

TH412 Technical specifications

Operating data

Lift height	4.259 mm
Weight	2,700 kg
Turning radius Tires	2,607 mm
Total rotation angle of the tool carrier	148 °

Engine / Motor

Engine / Motor manufacturer	Yanmar
Engine performance at 3,000 rpm	22.6 kW
Engine performance at 2,800 rpm	29.6 kW
Emission standards stage	IIIA

Power transmission

Traction drive	Hydrostatic
Speed Stage 1:	0-7 km/h
Speed Stage 2:	0-20 km/h
Service brake central	Parking brake on all four wheels effective
Standard tires	10.0/75 - 15.3 AS ET-40

Steering and operating hydraulics

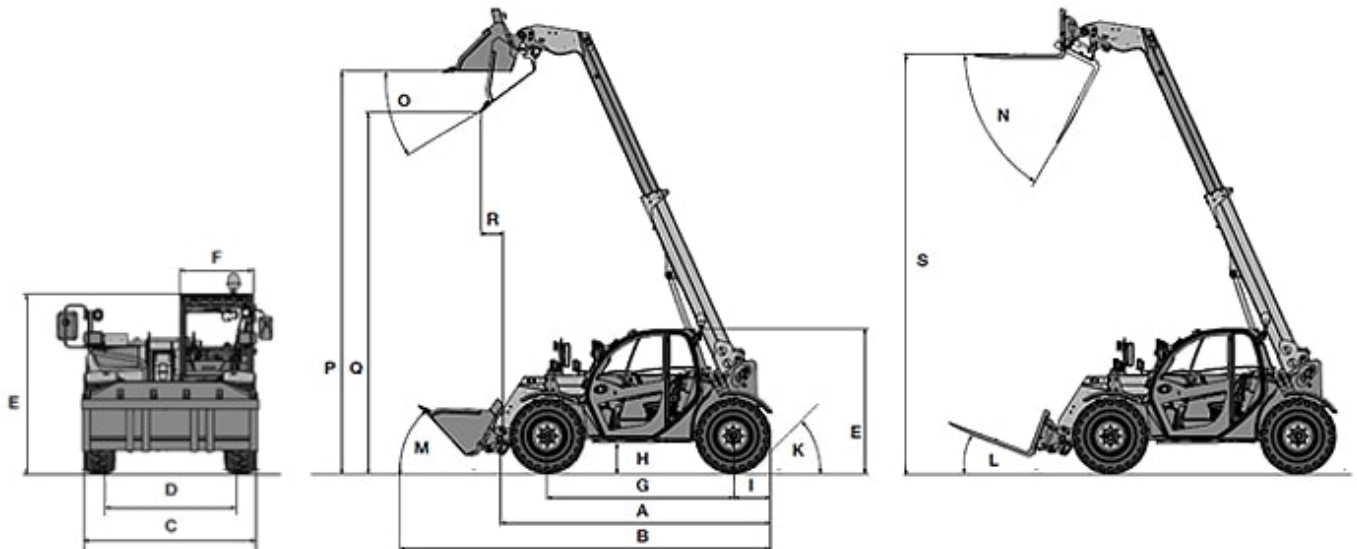
Steering angle max.	2 x 38 °
Flow rate (with 22.6 kW)	42 l/min
Flow rate (with 29.6 kW)	40 l/min

Kinematics

Payload max.	1,200 kg
Lift height Pin height	4,503 mm
Payload at max. lift height	1,200 kg
Payload at max. span	440 kg

Standard bucket = digging bucket, 1,500 mm width

TH412 Dimensions



L	Overhead loading height	4,306 mm
A	Length incl. tool frame	2,916 mm
B	Length with standard bucket	3,879 mm
C	Width max.	1,560 mm
F	Width cabin (inner)	662 mm
L	Tilt-in angle Pallet fork below	8 °
M	Tilt-in angle Standard bucket below	44 °
N	Dump angle Pallet fork above	70 °
O	Dump angle Standard bucket above	31 °

Please note: that product availability can vary from country to country. It is possible that information / products may not be available in your country. More detailed information on engine power can be found in the operator's manual; the stated power may vary due to specific operating conditions. Subject to alterations and errors excepted. Applicable also to illustrations.

Copyright © 2020 Wacker Neuson SE.